

Toyota Forklift

KM 53 Uni Pro™ Seat Kit



Black Vinyl
PN: 8620

Side restraints to maintain seating position

Seamless molded and contoured foam cushions for added comfort

Retractable seat belt for added safety

Durable document pouch to store owner's manual and other valuables



APPLICATIONS

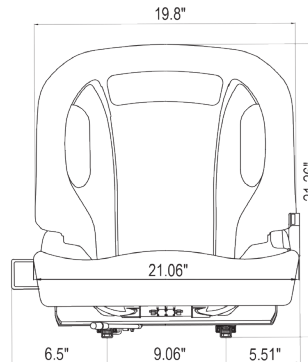


Forklifts

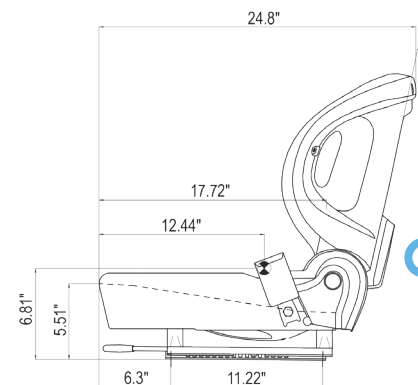
Fits - Toyota® Forklifts: 7FDU35, 7FDU45, 7FDU70, 7FDU80, 7FGU35, 7FGU45, 8FD35U, 8FDU25, 8FDU30, 8FGCU25, 8FGU25, 8FGU30

(Replaces Toyota® Numbers 53710-23323-71, 53710-30510-71, 53710-U1160-71, 53710-U1170-71, 53710-U2231-71, 53720-30610-71, 53720-U2231-71, 53720-U2241-71, 53720-UAAA6-71, 53730-U2100-71, 53730-U2241-71, 53762-U2100-71, 53780-U2170-71)

FRONT VIEW



SIDE VIEW



PN: 8620 Includes: KM 53 Uni Pro™ Forklift Seat & Install Hardware

- Seat dimensions: 19.8" x 21.3" x 24" (W x H x D)
- Comes standard with normally closed operator presence switch
- 6.9" fore/aft slide rail adjustment

TRACTORSSEATS.com CONSTRUCTIONSEATS.com

800-328-1752

308 NW 2nd Street • Renville, MN 56284

