

KM 126

Uni Pro™ Bucket Seat



Camo Vinyl
PN: 8699

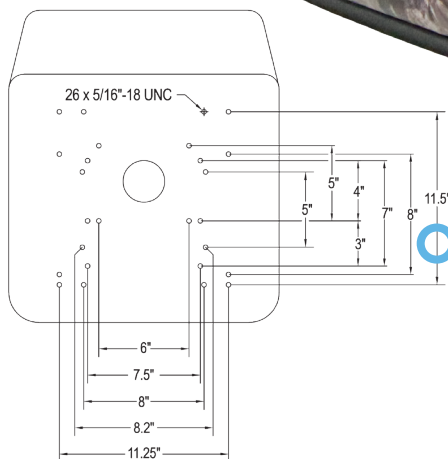
Camo Vinyl replacement option for Uni Pro™ - KM 125 Bucket Seat

Ergonomically contoured, high density foam cushion for added comfort and custom fit

Central drain hole prevents water build-up

Heavy-duty vacuum formed waterproof vinyl cover adds comfort and durability

Durable blow molded plastic frame is corrosion resistant



Multiple mounting patterns for multiple uses

See **REVERSE** for applications, drawings and options.

- 19" high-back seat to replace original 16" and 19" high-back seats
- Seat dimensions: 19" x 18" x 20" (W x H x D)
- Mounting patterns include (W x L): 6" x 5", 7.5" x 3", 7.5" x 4", 7.5" x 7", 8" x 11.5", 8.2" x 5", 11.25" x 8" and 11.25" x 11.5"



TRACTORSSEATS.com TURFSEATS.com CONSTRUCTIONSEATS.com

800-328-1752

308 NW 2nd Street • Renville, MN 56284



APPLICATIONS



Lawn Mowers



Skid Steers



Light Construction

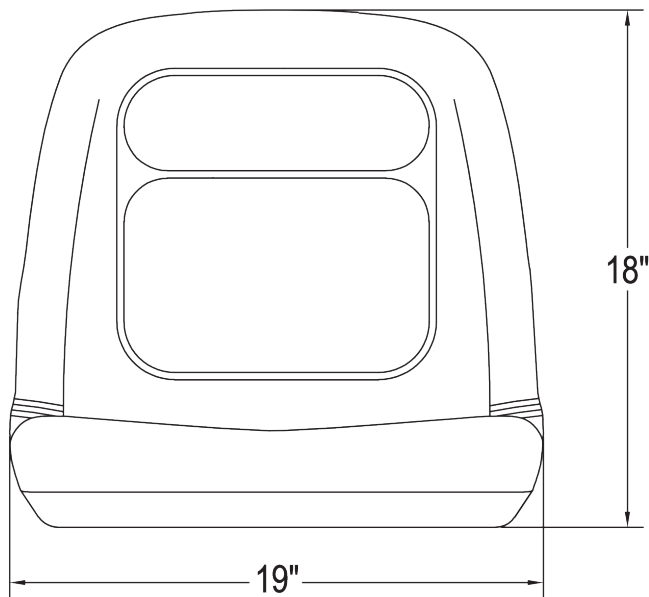


Utility Vehicles

Fits - Compact Tractor, Gator™, Industrial, Lawn Mower, Multi-Purpose Construction, Skid Steer, Turf and Utility Vehicle Equipment.

Ideal for AGCO®, Allis Chalmers®, Ariens®, Cub Cadet®, Dixie Chopper®, Dixon®, Exmark®, Ferris®, Grasshopper®, Gravely®, Husqvarna®, Hustler®, Jacobsen®, John Deere®, Kubota®, Land Pride®, New Holland®, Scag®, Toro® and Woods® Lawn Mowers, John Deere® and New Holland® Compact Utility Tractors, John Deere® Gators, Arctic Cat®, Bobcat®, Club Car®, John Deere®, Motrec® and Toro® Utility Vehicles, Bomag®, Dynapac® and Wacker® Rollers, Caterpillar®, John Deere® and Takeuchi® Excavators, Genie®, JCB® and Skytrak® Telehandlers, JCB® and John Deere® Forklifts, Montana® Tractor, Taylor-Dunn® Tow Tractors, Terramite® Sweeper, and Caterpillar®, John Deere® and Komatsu® Skid Steers

FRONT VIEW



SIDE VIEW

