

Unicarrier

Forklift Seat & Mechanical Suspension



Black Vinyl
PN: 6437



Mechanical lumbar support provides extra back support



100 - 375 lb weight adjustment with visual indicator



Hip restraint guards for safety and to maintain seating position

Orange retractable seat belt with switch for added safety

Adjustable backrest in increments of 2.5° adds comfort and versatility

Slide rails provide fore/aft adjustment ensuring operator comfort

- **Grammer MSG65/531 Seat**
- Low-profile mechanical suspension with travel of 2.38"
- Vacuum formed narrow seat cushion of 18.5" with asymmetrical backrest shape to make driving backwards more comfortable
- Comes standard with operator presence switch
- Includes necessary 12.91" rail spacing with ball slide rail mounting for direct fit, and adapter plates with hardware needed to meet UCA bolt pattern

See **REVERSE** for applications, drawings and options.



TRACTORSSEATS.com CONSTRUCTIONSEATS.com

800-328-1752

308 NW 2nd Street • Renville, MN 56284



APPLICATIONS

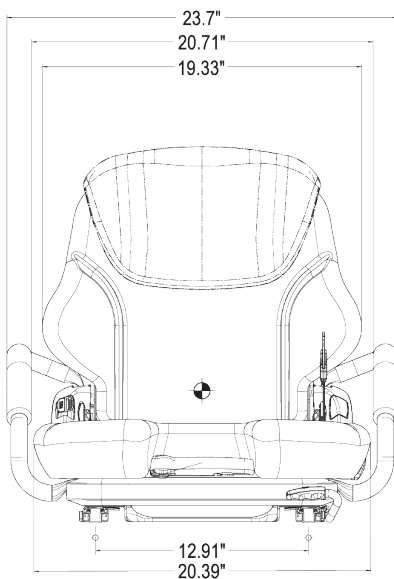


Forklifts

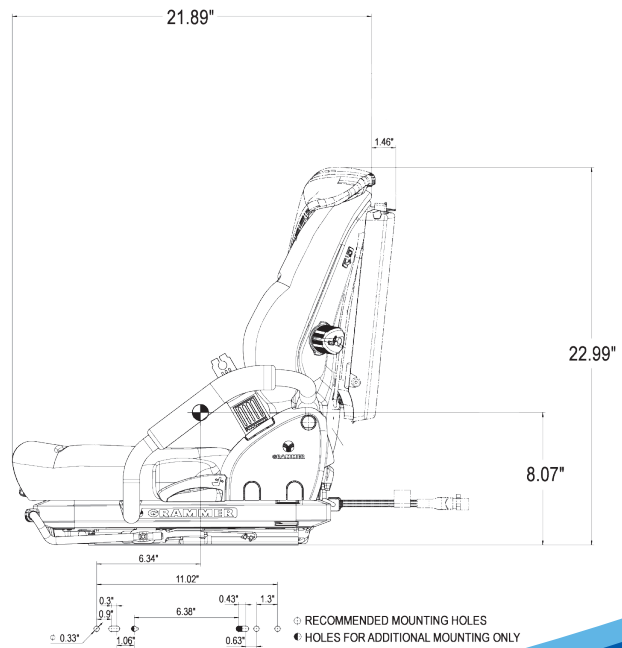
Fits - Unicarrier® Forklifts: **BXC-N Series:** BXC30N, BXC35N, BXC40N, BXC50N, BXC60N, BXC65N, BXC80N, BXC50LN; **BXC-R Series:** BXC40R, BXC50R; **GO4 Series:** GO4 PF80Y(H)LP, GO4 PF80Y(H)DF, GO4 PF90Y(H)LP, GO4 PF90Y(H)DF, GO4 PF100Y(H)LP, GO4 PF100Y(H)DF, GO4 PF110Y(H)LP, GO4 PF110Y(H)DF; **GO4 Diesel Series:** GO4 Diesel PF80YD, GO4 Diesel PF80HD, GO4 Diesel PF90YD, GO4 Diesel PF90HD, GO4 Diesel PF100YD, GO4 Diesel PF100HD, GO4 Diesel PF110YD, GO4 Diesel PF110HD; **PD Series:** PD PFD40M, PD PFD50M, PD PFD60M, PD PFD70M; **Platinum II CF Series:** Platinum II CF30, Platinum II CF35, Platinum II CF40, Platinum II CF50, Platinum II CF55, Platinum II CF60, Platinum II CF70, Platinum II CF80, Platinum II CF80 Boxcar; **Platinum II CFS Series:** Platinum II CFS40, Platinum II CFS60, Platinum II CFS65; **Platinum II CFU Series:** Platinum II CFU40, Platinum II CFU50, Platinum II CFU55; **Platinum II Nomad Series:** Platinum II Nomad AF30, Platinum II Nomad AF35, Platinum II Nomad AF50; **Platinum II PF Series:** Platinum II PF30, Platinum II PF35, Platinum II PF40, Platinum II PF50, Platinum II PF55, Platinum II PF60, Platinum II PF70; **Platinum II PFS Series:** Platinum II PFS40; **Platinum II PFU Series:** Platinum II PFU40, Platinum II PFU46, Platinum II PFU47, Platinum II PFU48, Platinum II PFU49, Platinum II PFU50

(Replaces Grammer Number 1438896)

FRONT VIEW



SIDE VIEW



OPTIONS

- 7885 LH Armrest
- 7884 RH Armrest
- 8015 Headrest (Black Vinyl)
- 8450 Document Pouch
- 7918 Isolator Kit
- 8065 Seat/Backrest Cover Kit (Alcanta Two-Tone Gray Fabric)
- 8066 Backrest Extension Cover Kit (Alcanta Two-Tone Gray Fabric)

MAINTENANCE ITEMS

Only fit the K&M seat assembly.

- 8151 Replacement Backrest Cushion (Black Vinyl)
- 8152 Replacement Seat Cushion (Black Vinyl)
- 7887 Replacement Retractable Seat Belt Kit
- 8370 Replacement Seat Belt Cover Kit
- 8466 Replacement Backrest Kit
- 8399 Replacement Backrest Adjust. Handle Kit
- 8672 Replacement Operator Presence Switch
- 8088 Replacement Weight Adjust Handle Kit
- 8593 Replacement Weight Adjust Handle & Block
- 8674 Replacement Wire Harness